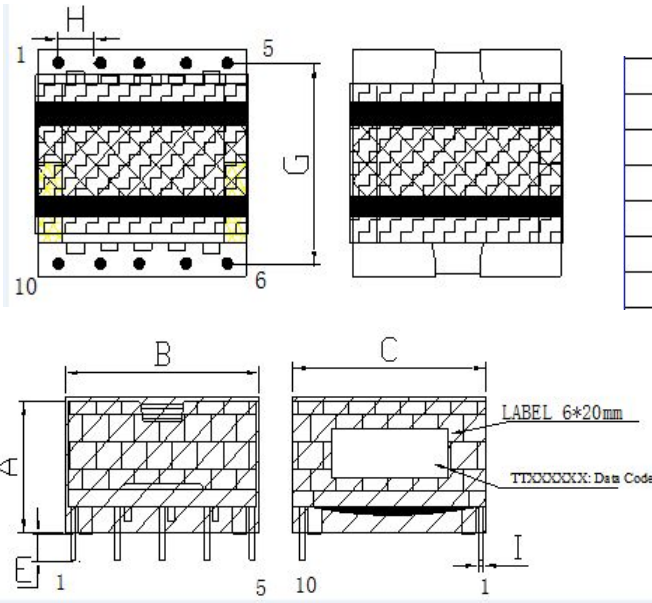
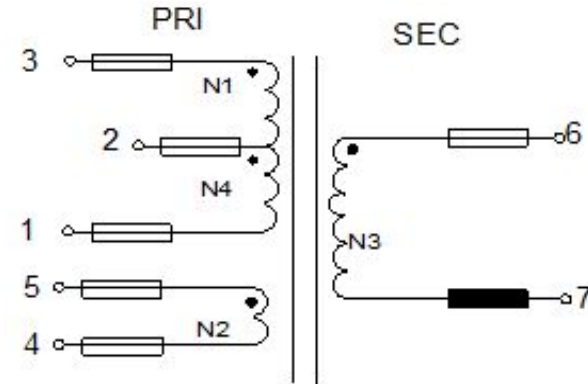


CUSTOMER TERMINAL	ROHS	Lead(Pb)-free
	YES	YES

1. Mechanical Dimensions



2. Schematic Diagram



3. Material List

Core:FW44 EFD25/25/9
 Bobbin:FWB2506(5+5PIN)
 Wire:2UEW TIW
 Operating Temperature: -30 to115 °C

4. Electrical Specification

Inductance : L(3-1):567uH±5% 60KHZ , 1.0V
 Leakage Inductance : 15.5uH MAX 60KHZ , 1.0V
 DCR : (3-1)=1.0Ω MAX (6-7)=120mΩ MAX
 Hi-Pot:P-S: AC 60Hz 4000V 1mA 3S
 S-CORE: AC 60Hz 4000V 1mA 3S

REV.	DATE	 Convention Placement	DRW.	Drawing Title: TRANSFORMER	Part No: FWPTefd25H571J
0	00/00		CHK.		
			APP.		
ROHS		www.ferriwo.com	Customer P/N	Specification Sheet 1of 1	